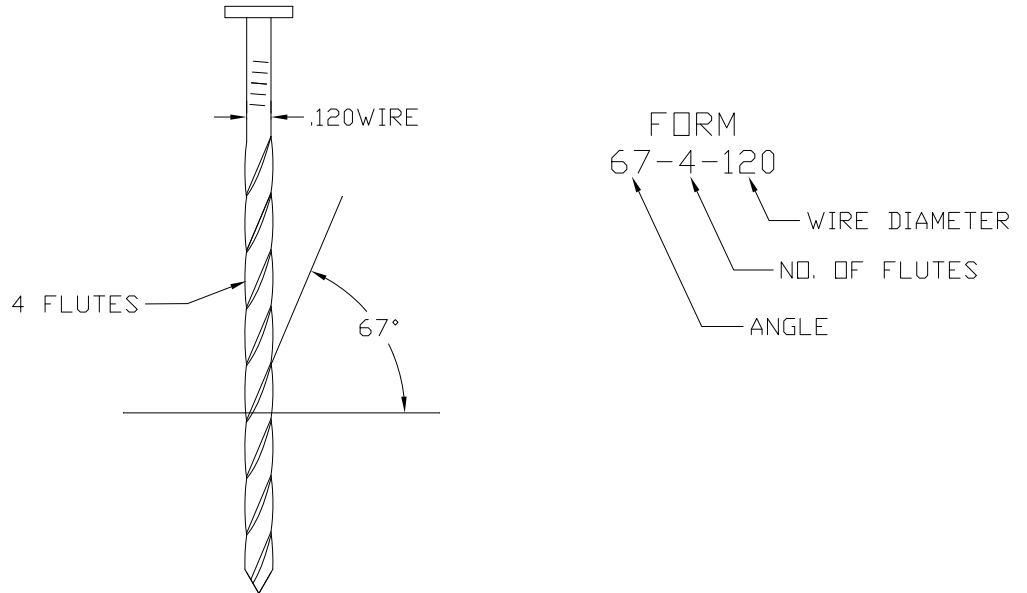




PLAN-E-TECH INDUSTRIES INC.
 5809 CENTER ROAD VALLEY CITY, OHIO 44280 U.S.A.
 (330) 225-7255 FAX (330) 225-7577
 E-mail: sales@plan-e-tech.com www.plan-e-tech.com

SCREW SHANK NAIL



SPIRAL FORMS AVAILABLE

60°	65° & 67°	70°	72°	75°	78°
60-3-083	65-4-157	70-4-083	72-5-113L.H.	75-4-062	78-4-079
60-4-096	6709	70-4-091		75-4-069	78-4-086
60-4-105	6710	70-4-098		75-4-078	78-4-090
60-4-113	6711	70-4-113		75-4-083	78-4-095
60-4-120	6712	70-4-120		75-4-091	78-4-099
60-4-135	67-4-078	70-4-127		75-4-095	78-4-105
60-5-120	67-4-083	70-5-099		75-4-098	78-4-113
60-5-127	67-4-087	70-5-105		75-4-105	78-5-099
60-5-131	67-4-095	70-5-120		75-4-113	78-5-105
60-5-142	67-4-098	70-5-141		75-4-120	78-5-113
60-5-148	67-5-105	70-5-148		75-4-127	78-5-120
60-5-170	67-4-113	70-5-159		75-4-143	78-5-128
	67-4-120			75-5-071	78-5-141
	67-4-135			75-5-086	78-6-120
	67-5-099			75-5-091	78-6-148
	67-5-105			75-5-098	
	67-5-113			75-5-105	
	67-5-120			75-5-113	
	67-5-127			75-5-120	
	67-5-135			75-5-135	
	67-5-148			75-5-148	
	67-5-155			75-5-162	
	67-5-162			75-5-128	
	67-5-170			75-5-128	
				75-5-135	
				75-5-177	
				75-4-148	
				75-5-162	